

WHELEN[®]

ENGINEERING COMPANY INC.

51 Winthrop Road
Chester, Connecticut 06412-0684
Phone: (860) 526-9504
Fax: (860) 526-4078
Internet: www.whelen.com
Sales e-mail: autosale@whelen.com
Canadian Sales e-mail: canadiansales@whelen.com
Customer Service e-mail: custserv@whelen.com

Installation Guide: Century™ Mini Lightbar
Models: MC23, MC16** and MC11****

Warnings to Installers

Whelen's emergency vehicle warning devices must be properly mounted and wired in order to be effective and safe. Read and follow all of Whelen's written instructions when installing or using this device. Emergency vehicles are often operated under high speed stressful conditions which must be accounted for when installing all emergency warning devices. Controls should be placed within convenient reach of the operator so that he can operate the system without taking his eyes off the roadway. Emergency warning devices can require high electrical voltages and/or currents. Properly protect and use caution around live electrical connections. Grounding or shorting of electrical connections can cause high current arcing, which can cause personal injury and/or vehicle damage, including fire. Many electronic devices used in emergency vehicles can create or be affected by electromagnetic interference. Therefore, after installation of any electronic device it is necessary to test all electronic equipment simultaneously to insure that they operate free of interference from other components within the vehicle. Never power emergency warning equipment from the same circuit or share the same grounding circuit with radio communication equipment. All devices should be mounted in accordance with the manufacturer's instructions and securely fastened to vehicle elements of sufficient strength to withstand the forces applied to the device. Driver and/or passenger air bags (SRS) will affect the way equipment should be mounted. This device should be mounted by permanent installation and within the zones specified by the vehicle manufacturer, if any. Any device mounted in the deployment area of an air bag will damage or reduce the effectiveness of the air bag and may damage or dislodge the device. Installer must be sure that this device, its mounting hardware and electrical supply wiring does not interfere with the air bag or the SRS wiring or sensors. Mounting the unit inside the vehicle by a method other than permanent installation is not recommended as unit may become dislodged during swerving; sudden braking or collision. Failure to follow instructions can result in personal injury. Whelen assumes no liability for any loss resulting from the use of this warning device. **PROPER INSTALLATION COMBINED WITH OPERATOR TRAINING IN THE PROPER USE OF EMERGENCY WARNING DEVICES IS ESSENTIAL TO INSURE THE SAFETY OF EMERGENCY PERSONNEL AND THE PUBLIC.**

Warnings to Users

Whelen's emergency vehicle warning devices are intended to alert other operators and pedestrians to the presence and operation of emergency vehicles and personnel. However, the use of this or any other Whelen emergency warning device does not guarantee that you will have the right-of-way or that other drivers and pedestrians will properly heed an emergency warning signal. Never assume you have the right-of-way. It is your responsibility to proceed safely before entering an intersection, driving against traffic, responding at a high rate of speed, or walking on or around traffic lanes. Emergency vehicle warning devices should be tested on a daily basis to ensure that they operate properly. When in actual use, the operator must ensure that both visual and audible warnings are not blocked by vehicle components (i.e.: open trunks or compartment doors), people, vehicles, or other obstructions. It is the user's responsibility to understand and obey all laws regarding emergency warning devices. The user should be familiar with all applicable laws and regulations prior to the use of any emergency vehicle warning device. Whelen's audible warning devices are designed to project sound in a forward direction away from the vehicle occupants. However, because sustained periodic exposure to loud sounds can cause hearing loss, all audible warning devices should be installed and operated in accordance with the standards established by the National Fire Protection Association.

Safety First

This document provides all the necessary information to allow your Whelen product to be properly and safely installed. Before beginning the installation and/or operation of your new product, the installation technician and operator must read this manual completely. Important information is contained herein that could prevent serious injury or damage.

- **Proper installation of this product requires the installer to have a good understanding of automotive electronics, systems and procedures.**
- **Whelen Engineering recommends the use of waterproof butt splices and/or connectors if that connector could be exposed to moisture.**
- **Failure to use specified installation parts and/or hardware will void the product warranty.**
- **If mounting this product requires drilling holes, the installer MUST be sure that no vehicle components or other vital parts could be damaged by the drilling process. Check both sides of the mounting surface before drilling begins. Also de-burr the holes and remove any metal shards or remnants. Install grommets into all wire passage holes.**
- **If this manual states that this product may be mounted with suction cups, magnets, tape or Velcro®, clean the mounting surface with a 50/50 mix of isopropyl alcohol and water and dry thoroughly.**
- **Do not install this product or route any wires in the deployment area of your air bag. Equipment mounted or located in the air bag deployment area will damage or reduce the effectiveness of the air bag, or become a projectile that could cause serious personal injury or death. Refer to your vehicle owner's manual for the air bag deployment area. The User/Installer assumes full responsibility to determine proper mounting location, based on providing ultimate safety to all passengers inside the vehicle.**
- **For this product to operate at optimum efficiency, a good electrical connection to chassis ground must be made. The recommended procedure requires the product ground wire to be connected directly to the NEGATIVE (-) battery post (this does not include products that use cigar power cords).**
- **If this product uses a remote device for activation or control, make sure that this device is located in an area that allows both the vehicle and the device to be operated safely in any driving condition.**
- **Do not attempt to activate or control this device in a hazardous driving situation.**
- **This product contains either strobe light(s), halogen light(s), high-intensity LEDs or a combination of these lights. Do not stare directly into these lights. Momentary blindness and/or eye damage could result.**
- **Use only soap and water to clean the outer lens. Use of other chemicals could result in premature lens cracking (crazing) and discoloration. Lenses in this condition have significantly reduced effectiveness and should be replaced immediately. Inspect and operate this product regularly to confirm its proper operation and mounting condition. Do not use a pressure washer to clean this product.**
- **It is recommended that these instructions be stored in a safe place and referred to when performing maintenance and/or reinstallation of this product.**
- **FAILURE TO FOLLOW THESE SAFETY PRECAUTIONS AND INSTRUCTIONS COULD RESULT IN DAMAGE TO THE PRODUCT OR VEHICLE AND/OR SERIOUS INJURY TO YOU AND YOUR PASSENGERS!**

IMPORTANT! The lightbar should be a minimum of 16" from any radio antennas!

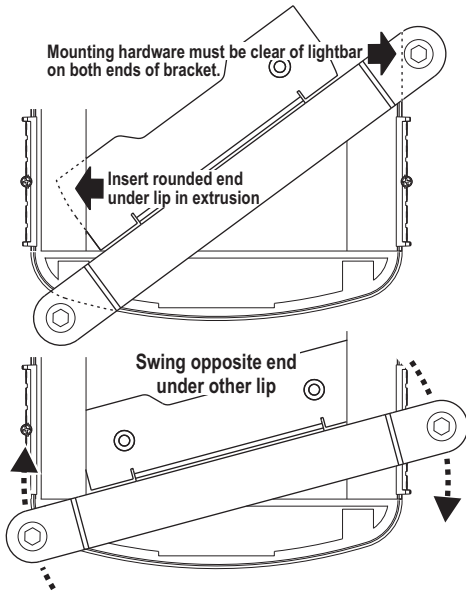
Permanent Mounting / Bracket or Stud Mount:

This mounting style requires removal of the headliner. There may be a roof support member that runs from the drivers to the passengers side of the vehicle. **Do not drill through this member.**

Caution: Permanent mounting of this product will require drilling. Be absolutely sure that no other vehicle components could be damaged by this process. Check both sides of the mounting surface before starting. If damage is likely, select a different mounting location.

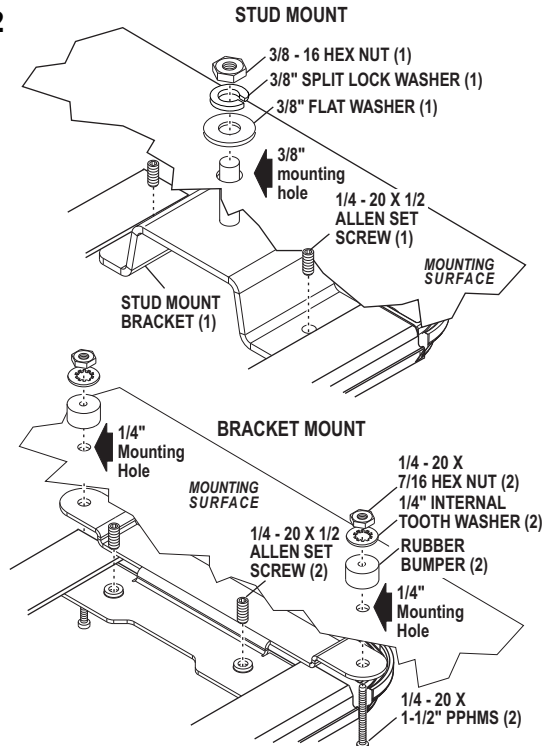
1. Insert the 2 stud mounts (or brackets) under the lip in the bottom of the extrusion. (rounded end first) and pivot the bracket so that the other end slides under the other lip in the extrusion (Fig. 1). The mounting hardware must be clear of the lightbar to get the bracket into the extrusion.

Fig. 1



2. Make sure that the brackets are sitting all the way at each end of the extrusion, then secure them with the supplied allen set screws.
3. Place the lightbar in the exact mounting location. Mark the location of the 2 (or 4) mounting holes onto the mounting surface, and the area for the wire passage hole. This hole should be located directly below where the wires exit the extrusion.

Fig. 2



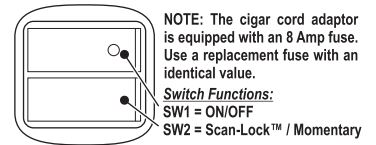
4. Remove the lightbar and drill the mounting holes (Fig. 2) as well as the 5/16" dia. wire passage hole. De-burr all the holes and install a rubber grommet (customer supplied) into the wire passage hole.
5. Route the wires through the grommet and to the necessary switches and power source as shown in the wiring diagram.
6. Secure the lightbar to the vehicle using the hardware provided. From the underside of the mounting surface, apply RTV around each mounting hole and the grommeted wire passage hole.

IMPORTANT! It is the responsibility of the installation technician to make sure that the installation and operation of this product will not interfere with or compromise the operation or efficiency of any vehicle equipment! Before returning the vehicle to active service, visually confirm the proper operation of this product, as well as all vehicle components/equipment.

Temporary Mount (Magnetic or Suction Cup):

WARNING: The use of any magnetically mounted warning device on the outside of a vehicle in motion is not recommended and is at the sole risk and responsibility of the user.

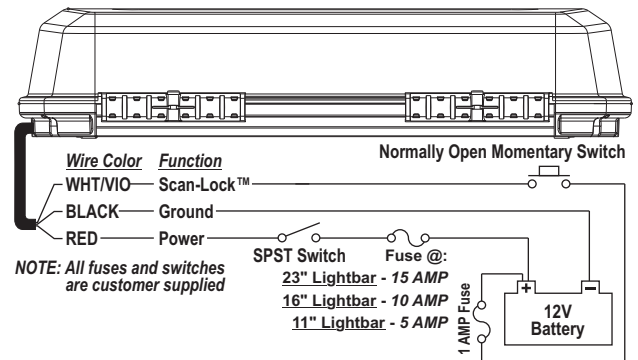
Magnetic/suction: Thoroughly clean the proposed mounting surface prior to mounting. For suction cup mounting, wipe the suction cup clean, place the beacon onto its mounting surface and apply gentle pressure to ensure a good seal has been achieved. The Magnetic/Suction Cups mount the same way as standard suction cups but are best suited to a flat, steel surface. **Magnetic:** Place the lightbar onto the mounting surface and plug it into the vehicle cigar lighter.



NOTE: Insert into the base the same as the permanent mount brackets.

Wiring:

WARNING! All customer supplied wires that connect to the positive terminal of the battery must be sized to supply at least 125% of the maximum operating current and FUSED at the battery to carry the load. DO NOT USE CIRCUIT BREAKERS WITH THIS PRODUCT!



Scan-Lock™:

To operate Scan-Lock™, switch the lightbar on. Magnetic and Suction mount models use a momentary switch on the cigar plug instead of a Scan-Lock wire.

TO CHANGE PATTERNS: To cycle forward apply +12 VDC to the WHT/VIO wire (or switch) for less than 1 second and release. To cycle back to the previous pattern apply +12 VDC to WHT/VIO wire for over 1 second.

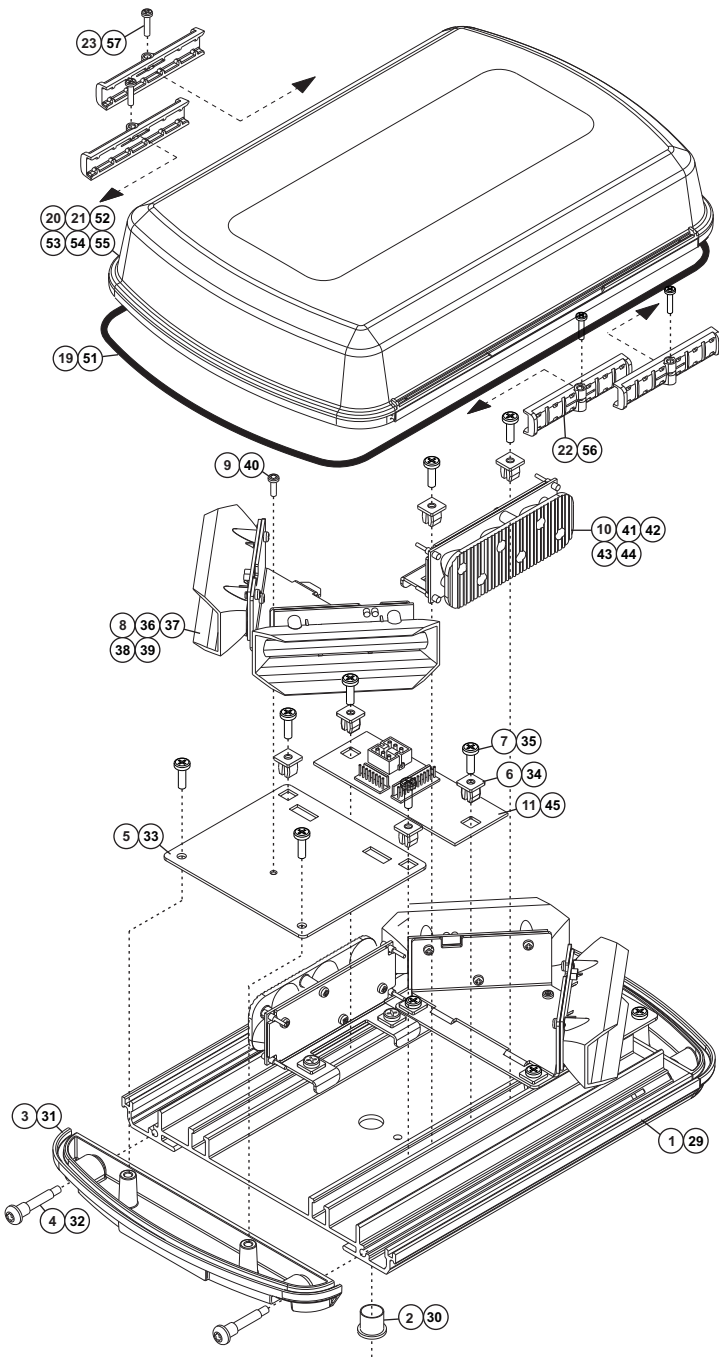
TO CHANGE THE DEFAULT PATTERN: When the desired pattern is displayed, allow it to run for more than 5 seconds. The lighththead will now display this pattern when initially activated.

TO RESTORE THE FACTORY DEFAULT PATTERN: With power off, apply +12 VDC to the WHT/VIO wire (or switch). While continuing to apply power to Scan-Lock™ turn lighththead(s) on. The factory default pattern will be displayed.

Available Flash Patterns:

- | | | |
|--------------------|---------------------|----------------------|
| 1. SignalAlert™ 75 | 6. LongBurst™ 75 | 12. DoubleFlash 150 |
| 2. CometFlash® 75 | 7. PingPong™ 75 | 13. ComAlert™ 150 |
| 3. DoubleFlash 75 | 8. SingleFlash 60 | 14. ActionFlash™ 50 |
| 4. SingleFlash 75 | 9. SingleFlash 90 | 15. ActionFlash™ 150 |
| 5. ComAlert™ 75 | 10. SingleFlash 120 | 16. ModuFlash™ |
| | 11. SingleFlash 300 | 17. ActionScan™ |

IMPORTANT WARNING!
CAUTION! DO NOT LOOK DIRECTLY AT THESE LED'S WHILE THEY ARE ON. MOMENTARY BLINDNESS AND/OR EYE DAMAGE COULD RESULT!

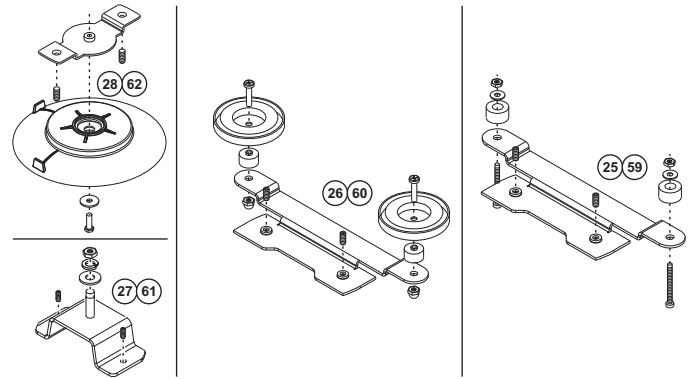


QTY	QTY	QTY	QTY	ITEM	PART NUMBER	DESCRIPTION
		*			01-0687308-_P	CENTURY, 11" PERM MT
		*			01-0687308-_S	CENTURY, 11" STUD MT
	*				01-0687308-_M	CENTURY, 11" MAG MT
	*				01-0687308-_V	CENTURY, 11" VAC MT
1	1	1	1	29	11-36D692-008	EXTRUSION, MACHINED 11" CENTURY LTBAR
1	1	1	1	30	21-27101404-0	BUSHING, .437 MTG HOLE .312 ID BLACK NYLON
2	2	2	2	31	02-0344217-00	SUB ASSY, ENDCAP/WHELEN LABEL CENTURY LTBAR
4	4	4	4	32	14-104286-16J	SCREW, 10-24 X 1.25" WAX DIP SHLDR PHTX TRI PT SS
2	2	2	2	33	07-76D682-000	PLATE, CORNER MOUNT DUAL L32 CENTURY LIGHTBAR
10	10	10	10	34	21-17060704-3	GROMMET, PLASTI- #8/10 .275-.290 SQ HOLE, .057 HD HT
14	14	14	14	35	15-081416-080	SCREW, 8 X 1/2 PPHSMS 410 SS
A/R	A/R	A/R	A/R	36	01-026E054122	SUB ASSY, 6 LED CORNER BLUE/BLEU CENTURY LTBAR
A/R	A/R	A/R	A/R	37	01-026E054133	SUB ASSY, 6 LED CORNER WHT/WHT CENTURY LTBAR
A/R	A/R	A/R	A/R	38	01-026E054144	SUB ASSY, 6 LED CORNER GRN/GRN CENTURY LTBAR
A/R	A/R	A/R	A/R	39	01-026E054155	SUB ASSY, 6 LED CORNER RED/RED CENTURY LTBAR
2	2	2	2	40	14-040285-063	SCREW, 4-40 X 3/8 TORX PH TRILOB 410 SS, BLK OX
A/R	A/R	A/R	A/R	41	01-026E055-20	ASSY, 6 TIR 10 X 30, BLUE, CENTURY LIGHTBAR
A/R	A/R	A/R	A/R	42	01-026E055-30	ASSY, 6 TIR 10 X 30, WHITE, CENTURY LIGHTBAR
A/R	A/R	A/R	A/R	43	01-026E055-40	ASSY, 6 TIR 10 X 30, GREEN, CENTURY LIGHTBAR
A/R	A/R	A/R	A/R	44	01-026E055-50	ASSY, 6 TIR 10 X 30, RED, CENTURY LIGHTBAR
1	1	1	1	45	02-016D408-06	ASSY, PCB 4 CH FLASHER 6 WIRE CENTURY LTBAR
-	-	1	1	46	46-0744279-00	ASSY, INPUT PIGTAIL, CENTURY MINI
1	1	-	-	47	02-0243700-02	CORD, CIG PLUG DUAL SWITCH AMP SCKT'S 10' 20 GA
1	1	-	-	48	39-0406324-04	HOUSING, 6 POS SOCKMOTOR MT COMM MATE-N-LOK
1	1	1	1	49	46-0787081-00	ASSY, HARNESS WARNING LIGHTS MINI CENTURY
1	1	1	1	50	26-0215001-03	TY WRAP, 3" BLACK
34.25"	34.25"	34.25"	34.25"	51	38-0523713-00	SEAL, EXTRUDED CENTURY LTBAR
A/R	A/R	A/R	A/R	52	68-1987111-20	DOME, BLUE OPTIC 11" CENTURY
A/R	A/R	A/R	A/R	53	68-1987111-30	DOME, CLEAR OPTIC 11" CENTURY
A/R	A/R	A/R	A/R	54	68-1987111-40	DOME, GREEN OPTIC 11" CENTURY
A/R	A/R	A/R	A/R	55	68-1987111-50	DOME, RED OPTIC 11" CENTURY
4	4	4	4	56	19-36D291-000	CLAMP, SLIDE-LOCK LENS MOUNT CENTURY LIGHTBAR
4	4	4	4	57	15-04541A-080	SCREW, 4 X 1/2 PPH PLASTILOC ZINC BLACK, SS
1	1	1	1	58	10-0523732-00	LABEL, PN/MN/SN CENTURY SERIES
-	-	-	1	59	01-0444306-00	KIT, PERM MOUNT, CENTURY
-	1	-	-	60	01-0444307-00	KIT, MAGNETIC MOUNT, CENTURY
-	-	1	-	61	01-0444251-01	KIT, STUD MOUNT, CENTURY
1	-	-	-	62	01-0444308-00	KIT, SUCTION/MAG MOUNT, CENTURY

PART NUMBER KEY:
0 1 - 0 6 8 7 3 0 8 -

MOUNTING
LED/DOME COLOR

LED/DOME COLOR MOUNTING
 2 = BLU/CLR
 3 = CLR/CLR
 4 = GRN/CLR
 5 = RED/CLR
 B = BLU/BLU
 G = GRN/GRN
 R = RED/RED
 P = PERM
 S = STUD
 M = MAG
 V = VAC



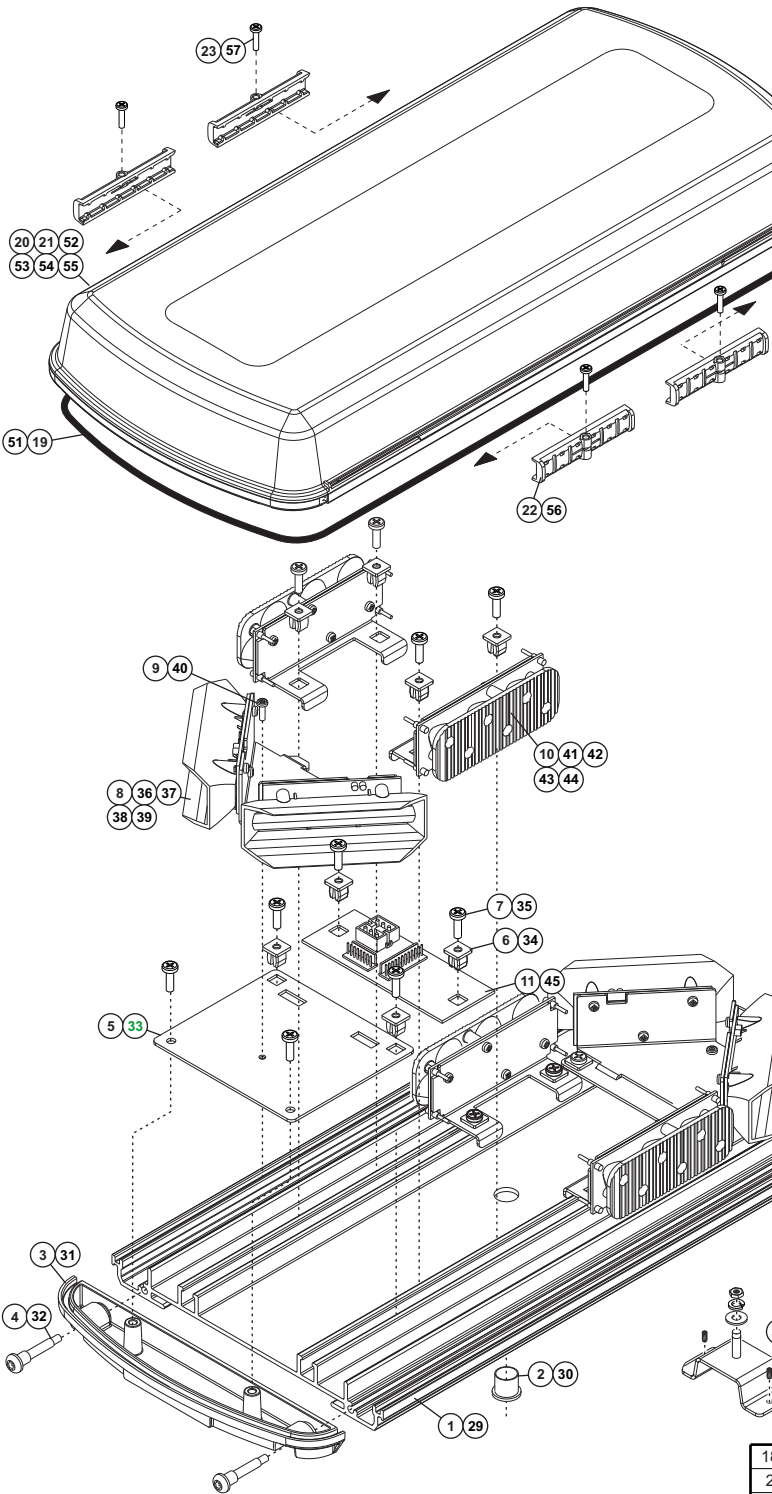
PART NUMBER KEY:
0 1 - 0 6 8 7 1 2 0 -

LED/DOME COLOR MOUNTING
 A = AMB/AMB
 1 = AMB/CLR
 P = PERM
 S = STUD
 M = MAG
 V = VAC

MOUNTING
LED/DOME COLOR

QTY	QTY	QTY	QTY	ITEM	PART NUMBER	DESCRIPTION
		*			01-0687120-_P	CENTURY AMBER ESSENTIALS, 11" PERM MT
		*			01-0687120-_S	CENTURY AMBER ESSENTIALS, 11" STUD MT
	*				01-0687120-_M	CENTURY AMBER ESSENTIALS, 11" MAG MT
	*				01-0687120-_V	CENTURY AMBER ESSENTIALS, 11" VAC MT
1	1	1	1	1	11-36D692-008	EXTRUSION, MACHINED 11" CENTURY LIGHTBAR
1	1	1	1	2	21-27101404-0	BUSHING, .437 MTG HOLE .312 ID BLACK NYLON
2	2	2	2	3	02-0344217-00	SUB ASSY, ENDCAP/WHELEN LABEL CENTURY LIGHTBAR
4	4	4	4	4	14-104286-16J	SCREW, 10-24 X 1.25" WAX DIP SHLDR PHTX TRI PT SS
2	2	2	2	5	07-76D682-000	PLATE, CORNER MOUNT DUAL L32 CENTURY LIGHTBAR
10	10	10	10	6	21-17060704-3	GROMMET, PLASTI- #8/10 .275-.290 SQ HOLE, .057 HD HT
14	14	14	14	7	15-081416-080	SCREW, 8 X 1/2 PPHSMS 410 SS
2	2	2	2	8	01-026D523111	SUB ASSY, 6 LED CORNER AMB/AMB CENTURY LIGHTBAR
2	2	2	2	9	14-040285-063	SCREW, 4-40 X 3/8 TORX PH TRILOBULAR 410 SS, BLK OX
2	2	2	2	10	01-026D679-10	ASSY, 6 TIR 10 X 30, CENTURY LIGHTBAR
1	1	1	1	11	02-016D408-06	ASSY, PCB 4 CH FLASHER 6 WIRE CENTURY LTBAR

-	-	1	1	13	46-0744279-00	ASSY, INPUT PIGTAIL, AMBER ESSENTIALS MINI
1	1	-	-	14	02-0243700-02	CORD, CIGAR PLUG DUAL SW. AMP SCKT'S 10' 20 GA
1	1	-	-	16	39-0406324-04	HOUS, 6 POS SOCKMOTOR MT COMM MATE-N-LOK
1	1	1	1	17	46-0787081-00	ASSY, HARNESS WARNING LIGHTS MINI CENTURY
A/R	A/R	A/R	A/R	18	26-0215001-03	TY WRAP, 3" BLACK
34.25"	34.25"	34.25"	34.25"	19	38-0523713-00	SEAL, EXTRUDED CENTURY LTBAR
A/R	A/R	A/R	A/R	20	68-1987111-10	DOME, AMBER OPTIC 11" CENTURY
A/R	A/R	A/R	A/R	21	68-1987111-30	DOME, CLEAR OPTIC 11" CENTURY
4	4	4	4	22	19-36D291-000	CLAMP, SLIDE-LOCK LENS MT CENTURY LIGHTBAR
4	4	4	4	23	15-04541A-080	SCREW, 4 X 1/2 PPH PLASTILOC ZINC BLACK, SS
1	1	1	1	24	10-0523732-00	LABEL, PN/MN/SN CENTURY SERIES
-	-	-	1	25	01-0444306-00	KIT, PERM MOUNT, AMBER ESSENTIALS, CENTURY
-	1	-	-	26	01-0444307-00	KIT, MAG. MOUNT, AMBER ESSENTIALS, CENTURY
-	-	1	-	27	01-0444251-01	KIT, STUD MOUNT, AMBER ESSENTIALS, CENTURY
1	-	-	-	28	01-0444308-00	KIT, SUCTION/MAG M, AMBER ESSENT, CENTURY



QTY	QTY	QTY	QTY	ITEM	PART NUMBER	DESCRIPTION
			*		01-0687309-_P	CENTURY, 16" PERM MT
			*		01-0687309-_S	CENTURY, 16" STUD MT
			*		01-0687309-_M	CENTURY, 16" MAG MT
			*		01-0687309-_V	CENTURY, 16" VAC MT
1	1	1	1	29	11-36D692-013	BASE, EXTRUDED 13.675" MACHINED
1	1	1	1	30	21-27101404-0	BUSHING, .437 HOLE .312 ID BLK NYLON
2	2	2	2	31	02-0344217-00	SUB ASSY, ENDCAP LABEL LTBAR
4	4	4	4	32	14-104286-16J	SCREW, 10-24 X 1.25" SHLR PHTX TRI PPT SS
2	2	2	2	33	07-76D682-000	PLATE, CORNER MT DUAL L32 CENTURY LTBAR
14	14	14	14	34	21-17060704-3	GROMMET, PLAST-#8/10 .275-.290 SQ HOLE, .057 HD HT
18	18	18	18	35	15-081416-080	SCREW, 8 X 1/2 PPHSMS 410 SS
A/R	A/R	A/R	A/R	36	01-026E054122	SUB ASSY, 6 LED CORNER BLU/BLU CENTURY LTBAR
A/R	A/R	A/R	A/R	37	01-026E054133	SUB ASSY, 6 LED CORNER WHT/WHT CENTURY LTBAR
A/R	A/R	A/R	A/R	38	01-026E054144	SUB ASSY, 6 LED CORNER GRN/GRN CENTURY LTBAR
A/R	A/R	A/R	A/R	39	01-026E054155	SUB ASSY, 6 LED CORNER RED/RED CENTURY LTBAR
2	2	2	2	40	14-040285-063	SCREW, 440 X 3/8 TORX PH TRIL0 410 SS, BLK OX
A/R	A/R	A/R	A/R	41	01-026E055-20	ASSY, 6 TIR 10 X 30, BLU CENTURY LIGHTBAR
A/R	A/R	A/R	A/R	42	01-026E055-30	ASSY, 6 TIR 10 X 30, WHT CENTURY LIGHTBAR
A/R	A/R	A/R	A/R	43	01-026E055-40	ASSY, 6 TIR 10 X 30, GRN, CENTURY LIGHTBAR
A/R	A/R	A/R	A/R	44	01-026E055-50	ASSY, 6 TIR 10 X 30, RED, CENTURY LIGHTBAR
1	1	1	1	45	02-016D408-06	ASSY, PCB 4 CH FLASHER 6 WIRE CENTURY LTBAR
-	-	1	1	46	46-0744279-00	ASSY, INPUT PIGTAIL, CENTURY MINI
1	1	-	-	47	02-0243700-02	CORD, CIG PLUG DUAL SWITCH AMP SCTKTS 10' 20 GA
1	1	-	-	48	39-0406324-04	HSNG, 6 POS SCKT MOTOR MT COMM MATE-N-L0K
1	1	1	1	49	46-0787081-00	HARNESH WARNING LIGHTS MINI CENTURY
1	1	1	1	50	26-0215001-03	TY WRAP, 3" BLACK
44.4"	44.4"	44.4"	44.4"	51	38-0523713-00	SEAL, EXTRUDED CENTURY LTBAR
A/R	A/R	A/R	A/R	52	68-1987108-20	DOME, BLUE OPTIC 16" CENTURY
A/R	A/R	A/R	A/R	53	68-1987108-30	DOME, CLEAR OPTIC 16" CENTURY
A/R	A/R	A/R	A/R	54	68-1987108-40	DOME, GREEN OPTIC 16" CENTURY
A/R	A/R	A/R	A/R	55	68-1987108-50	DOME, RED OPTIC 16" CENTURY
4	4	4	4	56	19-36D291-000	CLAMP, SLIDE-LOCK LENS MT CENTURY LTBAR
4	4	4	4	57	15-04541A-080	SCREW, 4 X 1/2 PPH PLASTILOC ZINC BLACK, SS
1	1	1	1	58	10-0523732-00	LABEL, PN/MN/SN CENTURY SERIES
-	-	-	-	59	01-0444306-00	KIT, PERM MOUNT, CENTURY
-	1	-	-	60	01-0444307-00	KIT, MAGNETIC MOUNT, CENTURY
-	-	1	-	61	01-0444251-01	KIT, STUD MOUNT, CENTURY
1	-	-	-	62	01-0444308-00	KIT, SUCTION/MAG MOUNT, CENTURY

PART NUMBER KEY:

0 1 - 0 6 8 7 3 0 9 -

MOUNTING

LED/DOME COLOR

LED/DOME COLOR

2 = BLU/CLR B = BLU/BLU
 3 = CLR/CLR G = GRN/GRN
 4 = GRN/CLR R = RED/RED
 5 = RED/CLR

MOUNTING

P = PERM
 S = STUD
 M = MAG
 V = VAC

PART NUMBER KEY:
 0 1 - 0 6 8 7 1 2 1 -

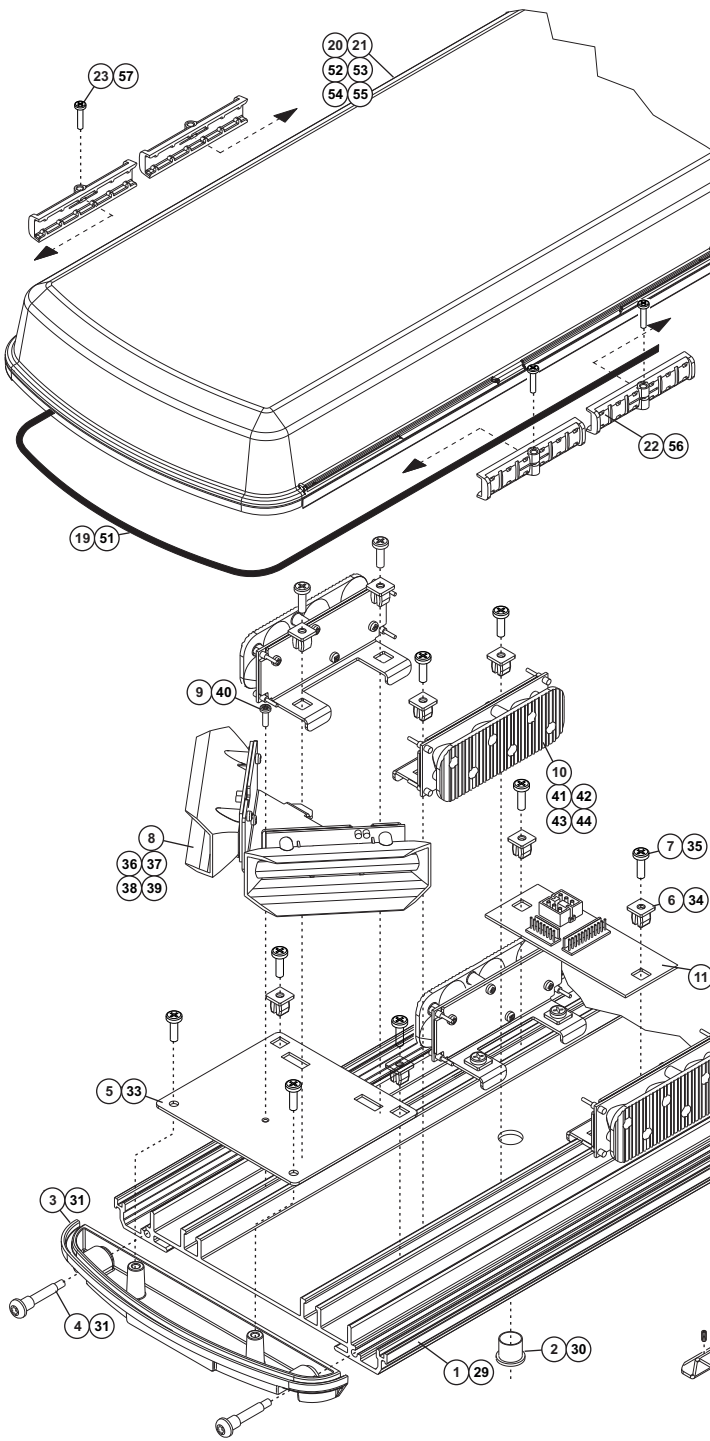
MOUNTING
 LED/DOME COLOR

LED/DOME COLOR

A = AMB/AMB
 1 = AMB/CLR
 P = PERM
 S = STUD
 M = MAG
 V = VAC

QTY	QTY	QTY	QTY	ITEM	PART NUMBER	DESCRIPTION
			*		01-0687121-_P	CENTURY AMBER ESSENTIALS, 16" PERM MT
			*		01-0687121-_S	CENTURY AMBER ESSENTIALS, 16" STUD MT
			*		01-0687121-_M	CENTURY AMBER ESSENTIALS, 16" MAG MT
			*		01-0687121-_V	CENTURY AMBER ESSENTIALS, 16" VAC MT
1	1	1	1	1	11-36D692-013	BASE, EXTRUDED CENTURY 13.675" MACHINED
1	1	1	1	2	21-27101404-0	BUSHING, .437 MTG HOLE .312 ID BLACK NYLON
2	2	2	2	3	02-0344217-00	ENDCAP/WHELEN LABEL CENTURY LIGHTBAR
4	4	4	4	4	14-104286-16J	SCREW, 10-24 X 1.25" WAX DIP SHLDR PHTX TRI PT SS
2	2	2	2	5	07-76D682-000	PLATE, CORNER MNT DUAL L32 CENTURY LTBAR
14	14	14	14	6	21-17060704-3	GROMMET, PLAS #8/10 .275-.290 SQ HOLE, .057 HD HT

18	18	18	18	7	15-081416-080	SCREW, 8 X 1/2 PPHSMS 410 SS
2	2	2	2	8	01-026D523111	LED CORNER AMB/AMB CENTURY LIGHTBAR
2	2	2	2	9	14-040285-063	SCREW, 4-40 X 3/8 TORX PH TRIL0 410 SS, BLK OX
4	4	4	4	10	01-026D679-10	ASSY, 6 TIR 10 X 30, CENTURY LIGHTBAR
1	1	1	1	11	02-016D408-06	ASSY, PCB 4 CH FLASHER 6 WIRE CENTURY LTBAR
-	-	1	1	13	46-0744279-00	ASSY, INPUT PIGTAIL, AMBER ESSENTIALS MINI
1	1	-	-	14	02-0243700-02	CORD, CIG PLUG 2 SWITCH AMP SCTKTS 10' 20 GA
1	1	-	-	16	39-0406324-04	HSNG, 6 POS SCKT MOTOR MT COMM MATE-N-L0K
1	1	1	1	17	46-0787081-00	ASSY, HARNESH WARNING LIGHTS MINI CENTURY
A/R	A/R	A/R	A/R	18	26-0215001-03	TY WRAP, 3" BLACK
44.4"	44.4"	44.4"	44.4"	19	38-0523713-00	SEAL, EXTRUDED CENTURY LTBAR
A/R	A/R	A/R	A/R	20	68-1987108-10	DOME, AMBER OPTIC 16" CENTURY
A/R	A/R	A/R	A/R	21	68-1987108-30	DOME, CLEAR OPTIC 16" CENTURY
4	4	4	4	22	19-36D291-000	CLAMP, SLIDE-LOCK LENS MNT CENTURY LT BAR
4	4	4	4	23	15-04541A-080	SCREW, 4 X 1/2 PPH PLASTILOC ZINC BLACK, SS
1	1	1	1	24	10-0523732-00	LABEL, PN/MN/SN CENTURY SERIES
-	-	-	-	25	01-0444306-00	KIT, PERM MOUNT, AMBER ESSENTIALS, CENTURY
-	1	-	-	26	01-0444307-00	KIT, MAGNETIC MNT, AMBER ESSENTIALS, CENTURY
-	-	1	-	27	01-0444251-01	KIT, STUD MOUNT, AMBER ESSENTIALS, CENTURY
1	-	-	-	28	01-0444308-00	KIT, SUC/MAG MNT, AMB ESSENTIALS, CENTURY



QTY	QTY	QTY	QTY	ITEM	PART NUMBER	DESCRIPTION
			*		01-0687310-_P	CENTURY 23" PERM MT
			*		01-0687310-_S	CENTURY 23" STUD MT
			*		01-0687310-_M	CENTURY 23" MAG MT
			*		01-0687310-_V	CENTURY 23" VAC MT
1	1	1	1	29	11-36D692-020	EXTRUSION, MACHINED 20" CENTURY LIGHTBAR
1	1	1	1	30	21-27101404-0	BUSHING, .437 MTG HOLE .312 ID BLACK NYLON
2	2	2	2	31	02-0344217-00	SUB ASSY, ENDCAP/WHELEN LABEL CENTURY LIGHTBAR
4	4	4	4	32	14-104286-16J	SCREW, 10-24 X 1.25" WAX DIP SHLDR PHTX TRI PT SS
2	2	2	2	33	07-76D682-000	PLATE, CORNER MOUNT DUAL L32 CENTURY LIGHTBAR
22	22	22	22	34	21-17060704-3	GROMMET, PLASTI- #8/10 .275-.290 SQ HOLE, .057 HD HT
26	26	26	26	35	15-081416-080	SCREW, 8 X 1/2 PPHSMS 410 SS
A/R	A/R	A/R	A/R	36	01-026E054122	SUB ASSY, 6 LED CORNER BLU/BLU CENTURY LIGHTBAR
A/R	A/R	A/R	A/R	37	01-026E054133	SUB ASSY, 6 LED CORNER WHT/WHT CENTURY LIGHTBAR
A/R	A/R	A/R	A/R	38	01-026E054144	SUB ASSY, 6 LED CORNER GRN/GRN CENTURY LIGHTBAR
A/R	A/R	A/R	A/R	39	01-026E054155	SUB ASSY, 6 LED CORNER RED/RED CENTURY LIGHTBAR
2	2	2	2	40	14-040285-063	SCREW, 4-40 X 3/8 TORX PH TRILOBLR 410 SS, BLK OXIDE
A/R	A/R	A/R	A/R	41	01-026E055-20	ASSY, 6 TIR 10 X 30, BLUE, CENTURY LIGHTBAR
A/R	A/R	A/R	A/R	42	01-026E055-30	ASSY, 6 TIR 10 X 30, WHITE, CENTURY LIGHTBAR
A/R	A/R	A/R	A/R	43	01-026E055-40	ASSY, 6 TIR 10 X 30, GREEN, CENTURY LIGHTBAR
A/R	A/R	A/R	A/R	44	01-026E055-50	ASSY, 6 TIR 10 X 30, RED, CENTURY LIGHTBAR
1	1	1	1	45	02-016D408-06	ASSY, PCB 4 CH FLASHER 6 WIRE CENTURY LTBAR
-	-	1	1	46	46-0744279-00	ASSY, INPUT PIGTAIL, CENTURY MINI
1	1	-	-	47	02-0243700-01	CORD, CIGAR PLUG DUAL SWITCH W/6 POS SCKT 10' 20 GA
1	1	-	-	48	39-0406324-04	HOUSING, 6 POS SOCKET MOTOR MT COMM MATE-N-LOK
1	1	1	1	49	46-0787081-01	ASSY, HARNESS WARNING LIGHTS MINI CENTURY 23"
1	1	1	1	50	26-0215001-03	TY WRAP, 3" BLACK
5.06	5.06	5.06	5.06	51	38-0523713-00	SEAL, EXTRUDED CENTURY LTBAR
A/R	A/R	A/R	A/R	52	68-1986987-22	DOME, BLUE OPTIC CLOSED END CENTURY LIGHTBAR
A/R	A/R	A/R	A/R	53	68-1986987-32	DOME, CLR OPTIC CLOSED END CENTURY LIGHTBAR
A/R	A/R	A/R	A/R	54	68-1986987-42	DOME, GREEN OPTIC CLOSED END CENTURY LIGHTBAR
A/R	A/R	A/R	A/R	55	68-1986987-52	DOME, RED OPTIC CLOSED END CENTURY LIGHTBAR
6	6	6	6	56	19-36D291-000	CLAMP, SLIDE-LOCK LENS MOTOR CENTURY LIGHTBAR
4	4	4	4	57	15-04541A-080	SCREW, 4 X 1/2 PPH PLASTILOC ZINC BLACK, SS
1	1	1	1	58	10-0523732-00	LABEL, PN/MN/SN CENTURY SERIES
-	-	-	1	59	01-0444306-00	KIT, PERM MOUNT, CENTURY
-	-	1	-	60	01-0444307-00	KIT, MAGNETIC MOUNT, CENTURY
-	-	1	-	61	01-0444251-01	KIT, STUD MOUNT, CENTURY
1	-	-	-	62	01-0444308-00	KIT, SUCTION/MAG MOUNT, CENTURY

PART NUMBER KEY:

0 1 - 0 6 8 7 3 1 0 -

MOUNTING

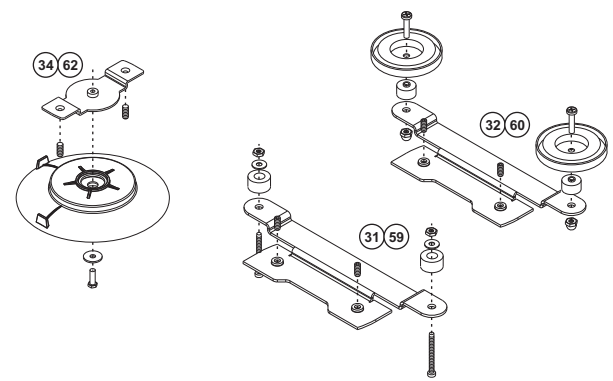
LED/DOME COLOR

LED/DOME COLOR

2 = BLU/CLR B = BLU/BLU
 3 = CLR/CLR G = GRN/GRN
 4 = GRN/CLR R = RED/RED
 5 = RED/CLR

MOUNTING

P = PERM
 S = STUD
 M = MAG
 V = VAC



PART NUMBER KEY:

0 1 - 0 6 8 7 1 2 2 -

LED/DOME COLOR

A = AMB/AMB
 1 = AMB/CLR

MOUNTING

P = PERM
 S = STUD
 M = MAG
 V = VAC

MOUNTING
 LED/DOME COLOR

QTY	QTY	QTY	QTY	ITEM	PART NUMBER	DESCRIPTION
			*		01-0687122-_P	CENTURY AMBER ESSENTIALS, 23" PERM MT
			*		01-0687122-_S	CENTURY AMBER ESSENTIALS, 23" STUD MT
			*		01-0687122-_M	CENTURY AMBER ESSENTIALS, 23" MAG MT
			*		01-0687122-_V	CENTURY AMBER ESSENTIALS, 23" VAC MT
1	1	1	1	1	11-36D692-020	EXTRUSION, MACHINED 20" CENTURY LIGHTBAR
1	1	1	1	2	21-27101404-0	BUSHING, .437 MTG HOLE .312 ID BLACK NYLON
2	2	2	2	3	02-0344217-00	SUB ASSY, ENDCAP/WHELEN LABEL CENTURY LIGHTBAR
4	4	4	4	4	14-104286-16J	SCREW, 10-24 X 1.25" WAX DIP SHOULDER PHTX TRI PT SS
2	2	2	2	5	07-76D682-000	PLATE, CORNER MOUNT DUAL L32 CENTURY LIGHTBAR
22	22	22	22	6	21-17060704-3	GROMMET, PLASTI- #8/10 .275-.290 SQ HOLE, .057 HD HT
26	26	26	26	7	15-081416-080	SCREW, 8 X 1/2 PPHSMS 410 SS
2	2	2	2	8	01-026D523111	SUB ASSY, 6 LED CORNER AMB/AMB CENTURY LIGHTBAR

2	2	2	2	9	14-040285-063	SCREW, 4-40 X 3/8 TORX PH TRILOBULAR 410 SS, BLK OX.
8	8	8	8	10	01-026D679-10	ASSY, 6 TIR 10 X 30, CENTURY LIGHTBAR
1	1	1	1	11	02-016D408-06	ASSY, PCB 4 CH FLASHER 6 WIRE CENTURY LTBAR
-	-	1	1	13	46-0744279-00	ASSY, INPUT PIGTAIL, AMBER ESSENTIALS MINI
1	1	-	-	14	02-0243700-01	CORD, CIGAR PLUG 2 SWITCH / 6 POS SCKT 10' 20 GA
1	1	-	-	16	39-0406324-04	HOUSING, 6 POS SCKT MOTOR MT COMM MATE-N-LOK
1	1	1	1	17	46-0787081-01	ASSY, HARNESS WARNING LIGHTS MINI CENTURY 23"
A/R	A/R	A/R	A/R	18	26-0215001-03	TY WRAP, 3" BLACK
5.06	5.06	5.06	5.06	19	38-0523713-00	SEAL, EXTRUDED CENTURY LTBAR
A/R	A/R	A/R	A/R	20	68-1986987-12	DOME, AMB OPTIC CLOSED END CENTURY LIGHTBAR
A/R	A/R	A/R	A/R	21	68-1986987-32	DOME, CLR OPTIC CLOSED END CENTURY LIGHTBAR
6	6	6	6	22	19-36D291-000	CLAMP, SLIDE-LOCK LENS MNT CENTURY LIGHTBAR
4	4	4	4	23	15-04541A-080	SCREW, 4 X 1/2 PPH PLASTILOC ZINC BLACK, SS
1	1	1	1	24	10-0523732-00	LABEL, PN/MN/SN CENTURY SERIES
-	-	-	1	25	01-0444306-00	KIT, PERM MOUNT, AMBER ESSENTIALS, CENTURY
-	-	1	-	26	01-0444307-00	KIT, MAGNETIC MOUNT, AMBER ESSENTIALS, CENTURY
-	-	1	-	27	01-0444251-01	KIT, STUD MOUNT, AMBER ESSENTIALS, CENTURY
1	-	-	-	28	01-0444308-00	KIT, SUCTION/MAG MT, AMBER ESSENTIALS, CENTURY